

FLOORING RADIANT PANEL TESTER



MODEL FRP-1A-CF(G) 110V 50/60Hz
MODEL FRP-1A-CF(G)-X 220V 50/60Hz

**MEASURES THE "CRITICAL RADIANT FLUX"
AT FLAME-OUT FOR CARPETING, FLOORING
MATERIALS, AND ATTIC INSULATION.**

ALL INCLUSIVE FEATURES:

- Steel channel panel support frame
- Chamber constructed of 1/2" calcium silicate board covered with stainless steel
- 12" x 18" porous gas operated refractory panel
- Air supply, zero regulator and mixer to supply gas to panel at specified operating temperature
- Pilot burner assembly
- Chamber and exhaust thermocouples
- Voltmeter to alternately read the output of the:
 - (1) optical pyrometer
 - (2) chamber temperature
 - (3) flux transducer
- Dummy specimen used in Flux Profile Measurements
- Radiant flux profile transducer
- Air & gas flowmeters to control mixture to panel
- Specimen holder (one):
 - Stainless steel specimen holder for floor covering systems
- Automatic "Panel Flame-Out Safety"



SHIPPING WEIGHT: 500 lbs.

PARTIAL LIST OF SPECIFIERS:

NFPA LIFE SAFETY CODE 101
MODEL BUILDING CODES
NY/NJ PORT AUTHORITY
GSA
BART (Bay Area Rapid Transit)
CPSC (Consumer Product Safety Commission)
DEPT. OF TRANSPORTATION GUIDELINES FOR BUSES
& RAIL PASSENGER CARS: Interior Materials
CALIFORNIA BUREAU OF HOME FURNISHINGS & THERMAL INSULATION
NEW YORK CITY: Carpeting and insulation

PARTIAL LIST OF TEST SPECIFICATIONS:

ASTM E 970
ASTM E 648
NFPA 253

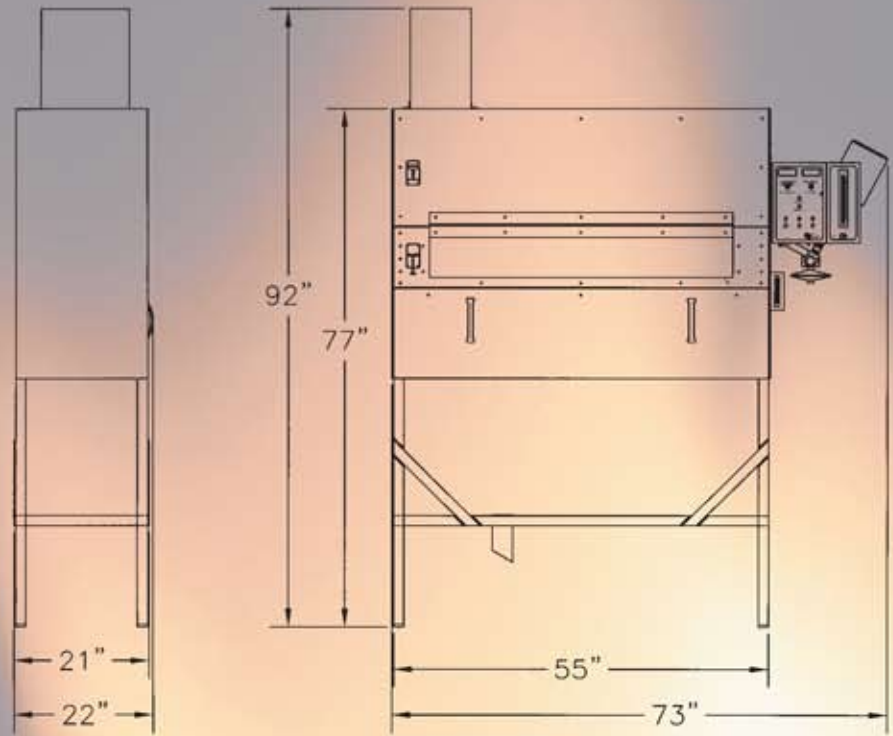
TEL: +1-631-293-8944
FAX: +1-631-293-8956
Email: equipment@govmark.com
Web: www.govmark.com

 **The Govmark Organization, Inc.**

96 Allen Boulevard, Suite D • Farmingdale, NY 11735 – U.S.A.



FLOORING RADIANT PANEL TESTER



FLAMMABILITY PRODUCTS & SERVICES AVAILABLE FROM GOVMARK

FLAMMABILITY TESTERS

FLAMMABILITY TESTERS	SUMMARY
45-DEGREE CABINET	FABRICS, CA TB117 2000, CANADIAN STANDARDS
HORIZONTAL CABINET	AUTOMOTIVE FABRICS, FAA
PILL TEST APPARATUS	CARPETING AND TENT FLOORING
TPP TESTER	PROTECTIVE CLOTHING
FLOORING RADIANT PANEL	CARPETING AND AIRCRAFT INSULATION
SMOKE DENSITY CHAMBER	ALL MATERIALS
VERTICAL CABINETS	DRAPES, SLEEPWEAR, TENTAGE, FAA
E162 RADIANT PANEL	FLAME SPREAD OF MATERIALS
OSU RATE OF HEAT RELEASE	FAA INTERIORS
CONE CALORIMETER (RATE OF HEAT RELEASE)	TRANSPORTATION AND BUILDING PRODUCTS
FAA OIL BURNER	SEAT CUSHIONS & CARGO LINERS
CALIF. TECHNICAL BULLETIN 117	UPHOLSTERY COMPONENTS
BS 5852	UPHOLSTERY COMPONENTS
NIST MATTRESS BURNER (SCREENING TOOL)	MATTRESSES
NON-COMBUSTIBILITY APPARATUS	BUILDING AND MARITIME PRODUCTS
NFPA 701 TM1 AND TM2	DRAPERIES, BANNERS, EXTERIOR PRODUCTS, ETC.
OXYGEN INDEX	IGNITION LEVEL OF MATERIALS
HOT WIRE IGNITION	PLASTICS FLAMMABILITY
GOV 94 FUME HOOD	ENCLOSURE FOR GOV 94 TESTS
BLANKET FLAMMABILITY TESTER	BLANKETS

Govmark offerings of testers and services are constantly augmented. Kindly contact Govmark for any items not listed herein.

FLAMMABILITY TESTS PERFORMED BY GOVMARK

Boston, California, Apparel, Camping Products, Children's Sleepwear, Drapery, Carpeting, CPSC, Mattress, Upholstery, Coast Guard, IMO, FAA, NY/NJ Port of Authority, Mining Products, and others